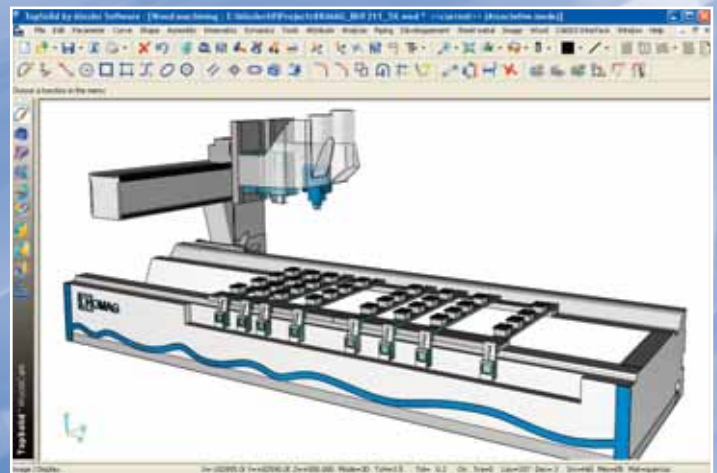


## TopSolid'Wood from Missler Software: The best CAD/CAM solution for Homag machines

### The HOMAG group

World leader in the manufacturing of CNC machining centers for the wood industry, Homag is considered one of the only manufacturers offering a complete and integrated solution for the **wood industry**.

**HOMAG** manufacturers sawing, pressing, laminating, sizing, edge banding, drilling, assembly, packaging, handling and grinding equipment for furniture making, wood equipment and the carpentry industry.



Real machine environment for optimal machine preparation.

### TopSolid'Wood from Missler Software:

TopSolid'Wood is an **integrated design, manufacturing and management software** specialised for **wood processing**. TopSolid'Wood is completed by TopSolid'WoodCam, an integrated CAM solution which automatically produces the ISO code, via a post processor, to manufacture parts on CNC machinery.

A **real data flow** exists between the design office and the manufacturing facility. This prevents numerous potential communication and technical errors and thereby generates considerable time gains.

All technical data is **coherent** and perfectly managed between **TopSolid'Wood** and **TopSolid'WoodCam**.

## The Partnership:

Missler Software and HOMAG now work closely together to provide **tested** and **high-performance post-processors** to optimise the use of HOMAG machine centres with TopSolid'Cam. Mutual customers benefit from this cooperation.

The **advantages** of working with **TopSolid'Wood** are:

- Important functions to pilot HOMAG multifunction machines
- Complete associativity between CAD and CAM
- Very realistic machining preparation
- Efficient functions for simple and complex machining

## TopSolid'Wood convinced HOMAG and its customers for the following reasons:

- Machining programs in "mpr" format. woodWOP remains a user-friendly interface for HOMAG machines
- Management of boring heads, aggregates, saw units, 3, 4, 5 axis heads
- Automatic recognition of wood CAD features for CNC programming
- Automatic transfer of all CAD modifications to the machining program
- Customization of machining processes by the generation of manufacturing procedures
- Precise and automatic management of cutting conditions
- Machining simulation of the complete machine environment



## TopSolid'Wood for HOMAG machines:

**The best solution to minimise your integration times and maximise your quality!**



7, rue du Bois Sauvage  
91055 Evry, France

Tel : +33 (0)1 60 87 20 20  
Fax : +33 (0)1 60 87 20 30  
Mail : [info@topsolid.com](mailto:info@topsolid.com)  
Web : [www.topsolid.com](http://www.topsolid.com)



Holzbearbeitungssysteme AG  
Homagstrasse 3-5  
72296 Schopfloch, Allemagne  
Tel : +49 (0) 7443 13 0  
Fax : +49 (0) 7443 13 23 00  
Mail : [info@homag.de](mailto:info@homag.de)  
Web : [www.homag.de](http://www.homag.de)

**TopSolid'Wood: The best CAD/CAM solution for HOMAG**